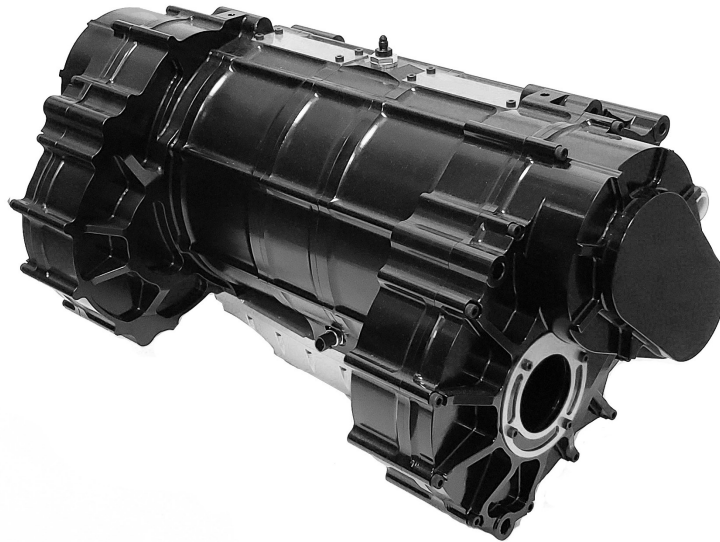


CASCADIA MOTION

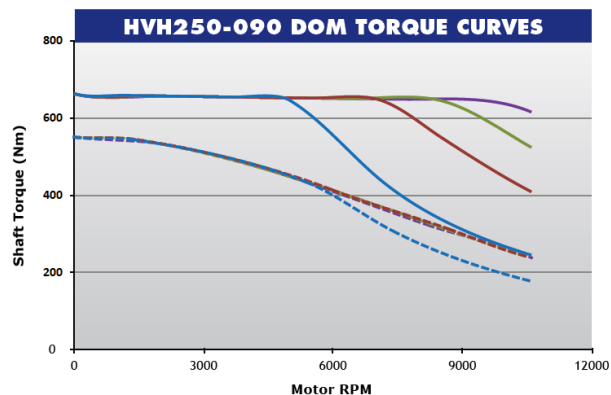
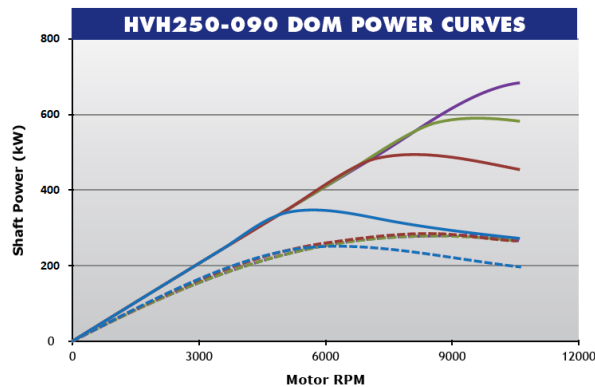
DSG-250-090 - Drive Module

The DSG-250-090 Drive Module is a powerful, durable and rugged electric motor for use in on- and off-highway vehicles and other special high power demand applications.

- Ratios available: 6.54:1, 8.28:1 and 9.07:1
- Total Peak torque 750Nm
- Peak speed 11Krpm
- Total Peak power above 660kW
- Mass 128kg
- Includes Oil Pump, Sump
- Requires Dual Inverters
- Requires external heat exchanger
- Peak efficiencies > 95%
- World class power density
- Typical Coolant Inlet Temperature up to 90°C
- Oil Flow Rate 5 to 45 LPM
- DC Bus Voltage to 850V
- Peak Current 600Arms per motor
- Rated Peak Operating Time 60 sec
- Standard Cooling Medium Dexron VI



Made with BorgWarner HVH250 Motor Core



Cascadia Motion LLC

power electronics, motors and propulsion controls

Wilsonville and Hood River, OR (USA) +1.503.344.5085 www.cascadiamotion.com