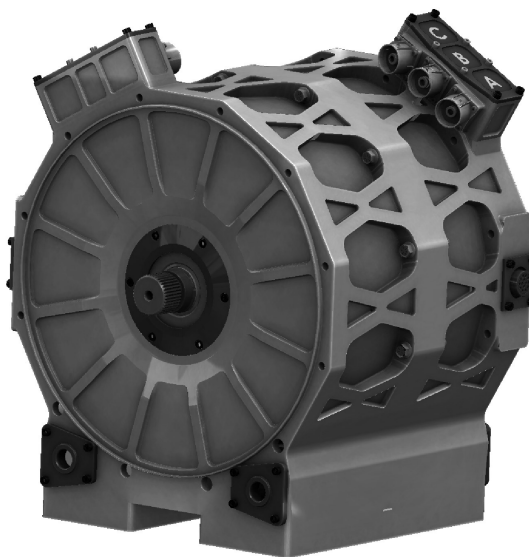


CASCADIA MOTION

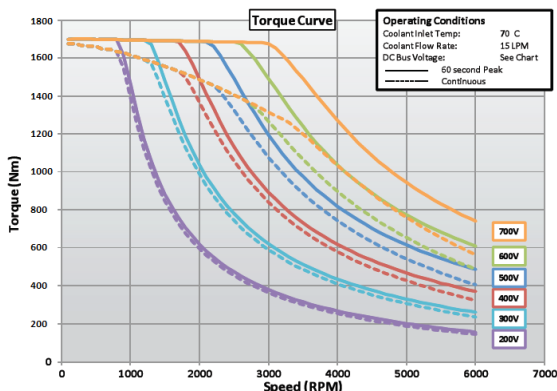
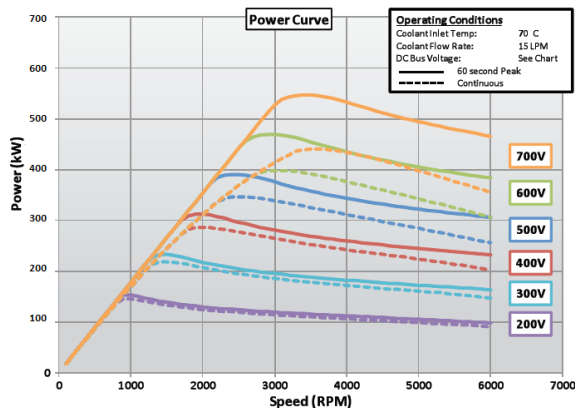
DS-410-075 - Dual Stack Motor

The SS-410-075 DOM is a powerful, durable and rugged electric motor/generator for use in on- and off-highway vehicles, power generation and other special high power demand applications.

- Peak torque 2000Nm at 600Arms per motor
- Peak speed 6Krpm
- Peak power above 550kW
- Mass 220kg
- Includes Oil Pump, Sump
- Includes integral heat exchanger
- Peak efficiencies > 95%
- World class power density
- Typical Coolant Inlet Temperature up to 90°C
- Typical Coolant Flow Rate 32 LPM
- DC Bus Voltage to 850V
- Performance curves shown at 480 Arms
- Rated Peak Operating Time 60 sec
- Internally oil lubricated and cooled by Dexron VI
- Motor Rotational Inertia 1.24 kg-m²



Made with BorgWarner HVH410 Motor Core



Cascadia Motion LLC

power electronics, motors and propulsion controls

Wilsonville and Hood River, OR (USA) +1.503.344.5085 www.cascadiamotion.com