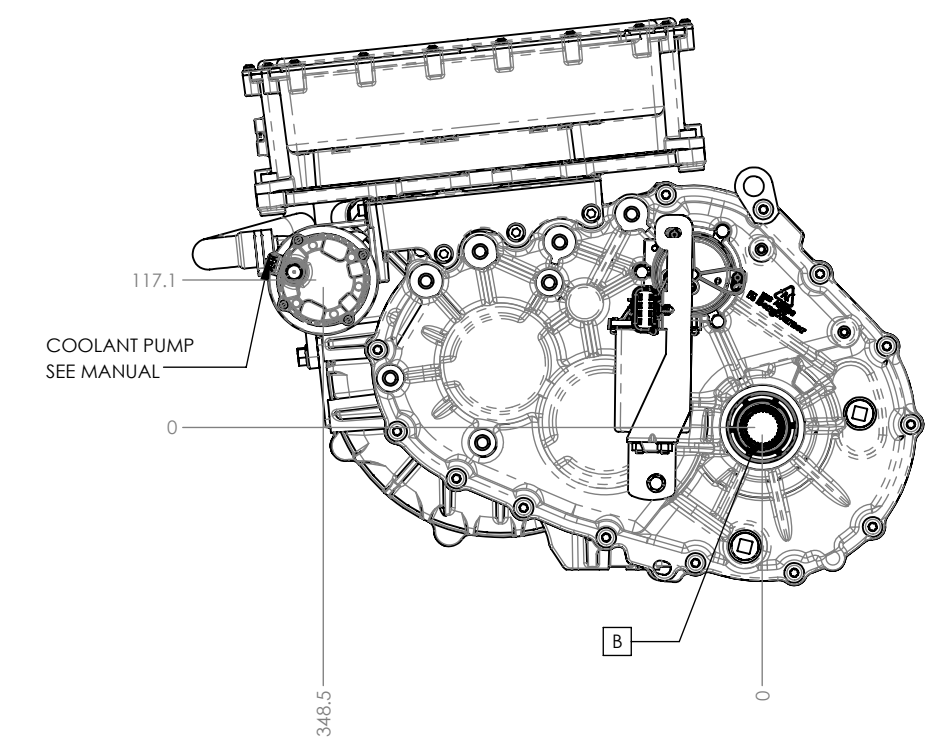
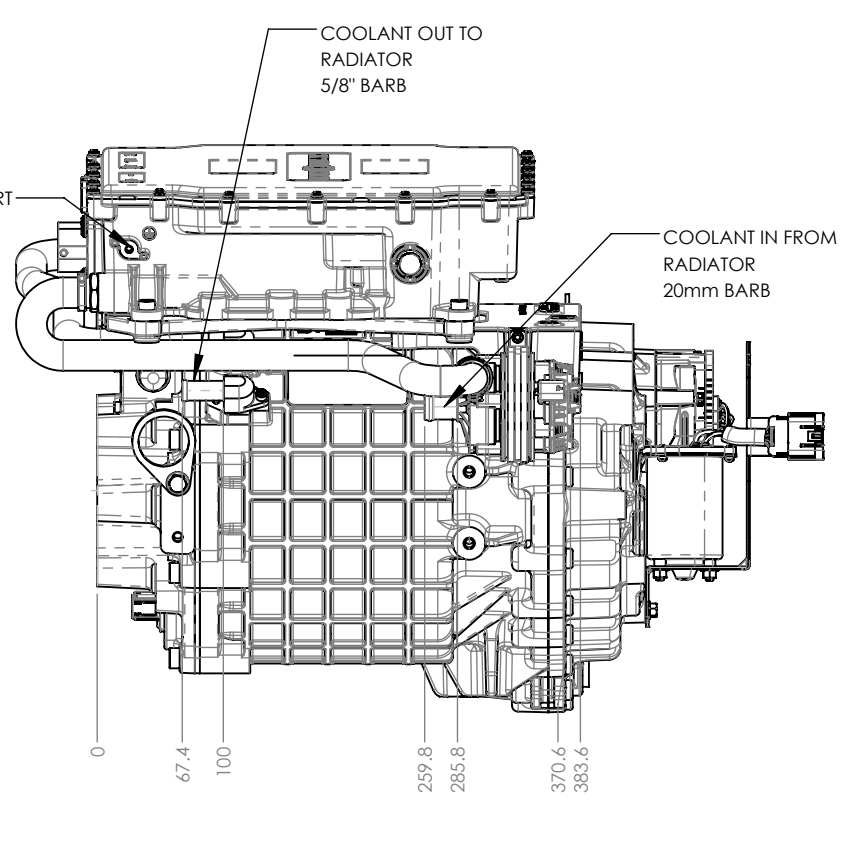
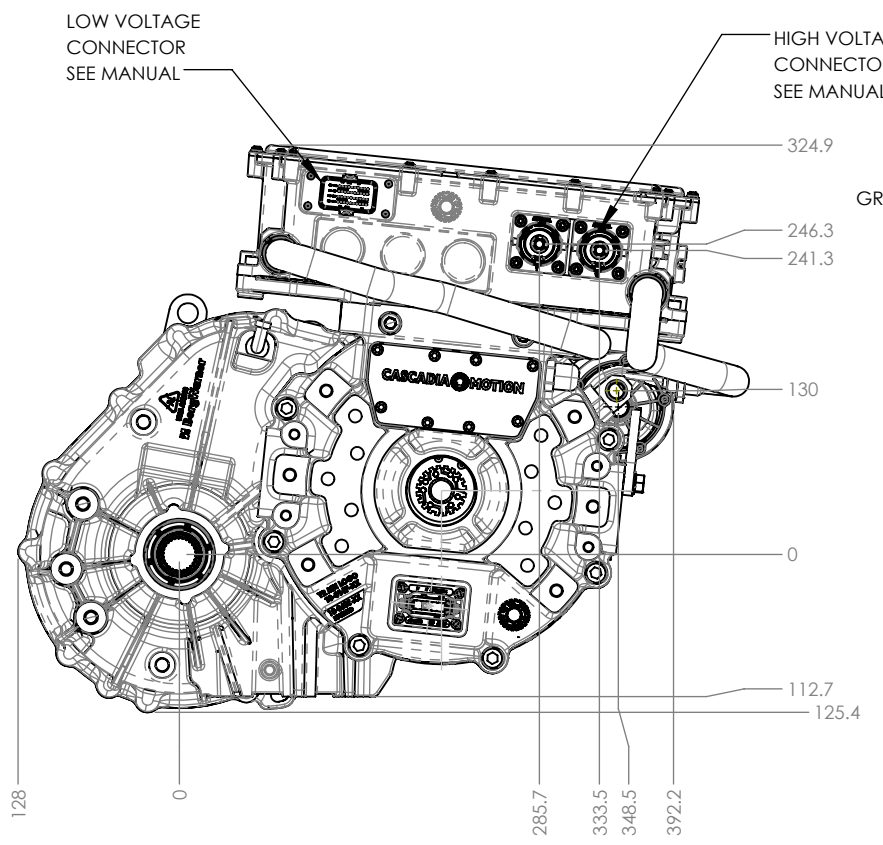
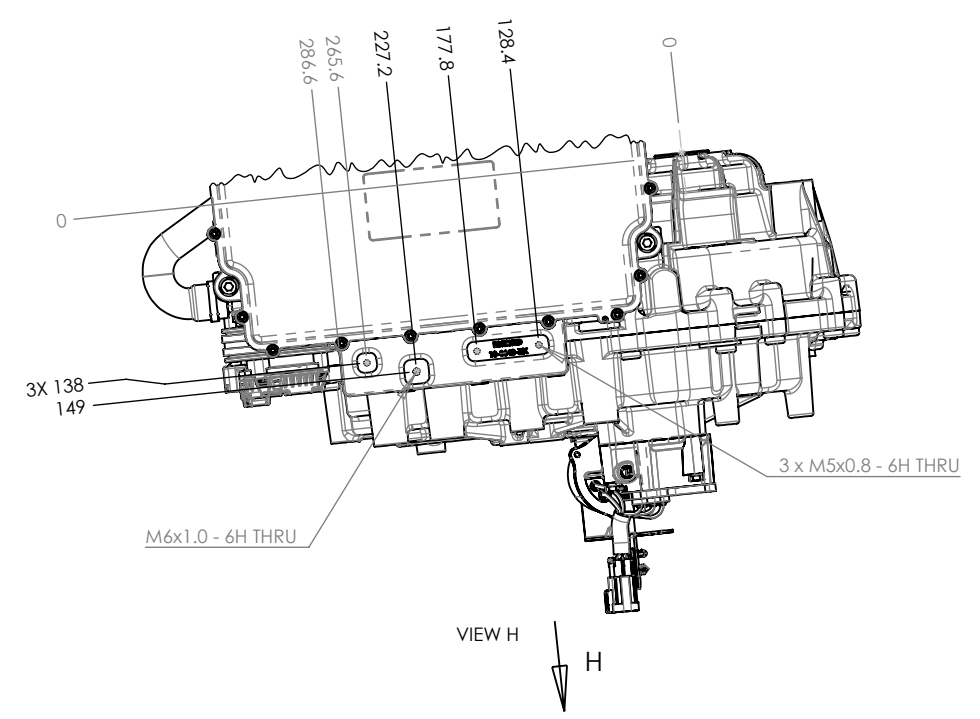
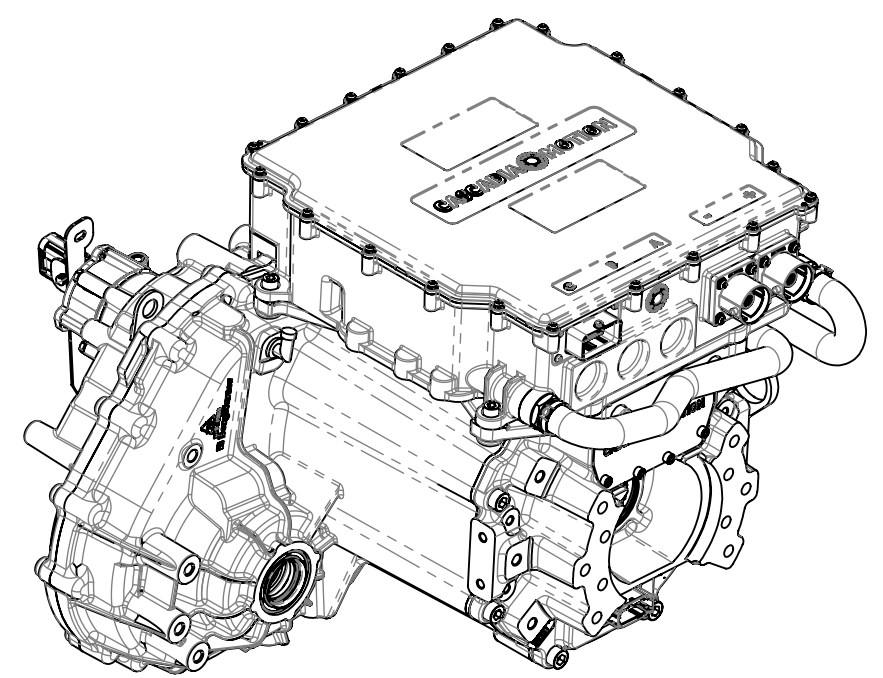


8 7 6 5 4 3 2 1

D  
C  
B  
A



ECO	REV.	DESCRIPTION	DATE	APPROVED
1012	-02	REMOVED STUB AXLE DETAILS FROM SHT 2	2024/07/09	PBG
874	-01	ECO RELEASE	5/3/2023	PBG
REVISIONS				

FOR FURTHER DETAIL ON INDIVIDUAL COMPONENTS, REFER TO THE FOLLOWING CUSTOMER INTERFACE DRAWINGS

DRAWING	DESCRIPTION
0A-0105-01	CID - CM350SIC
0A-0081-01	CID - IDM BASE

UNLESS OTHERWISE SPECIFIED:		NAME	DATE
DIMENSIONS ARE IN MM		DRAWN	JDB 3/20/2023
ANGULAR: MACHINING ±0.5°		ENG APPR.	PBG 4/24/2023
ANGULAR: BEND ±1.0°		MFG APPR.	
LINEAR: MACHINING ±0.25			
LINEAR: BEND ±1.0			
MATERIAL			
FINISH			

**CASCADIA MOTION**  
Wilsonville and Hood River, OR - USA

TITLE: **CID - iDM375**

SIZE **B** DWG. NO. **0A-0083-02**

SCALE: 1:6 WEIGHT: g SHEET 1 OF 1

8 7 6 5 4 3 2 1