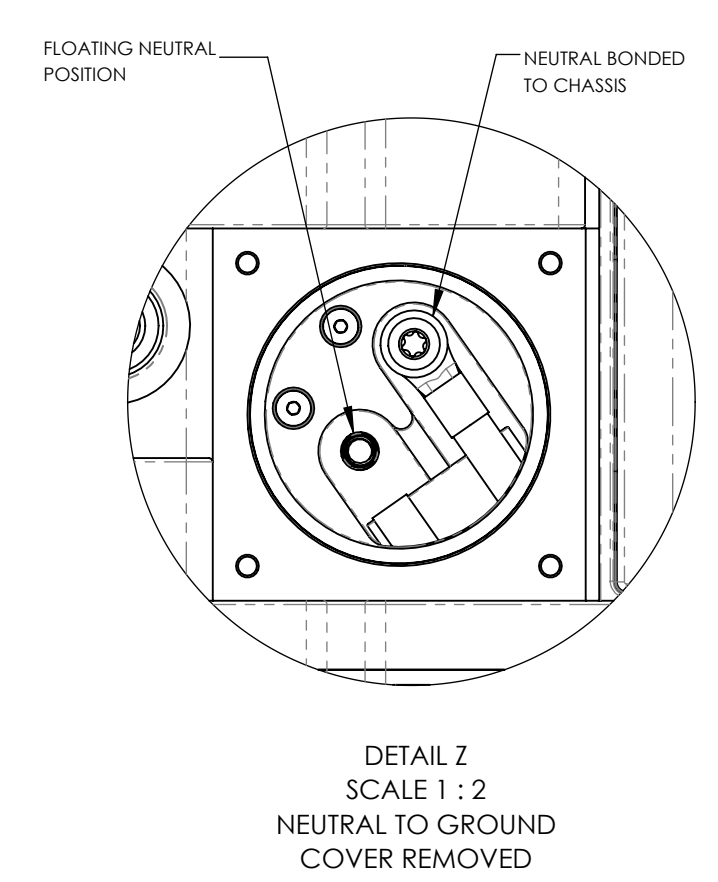
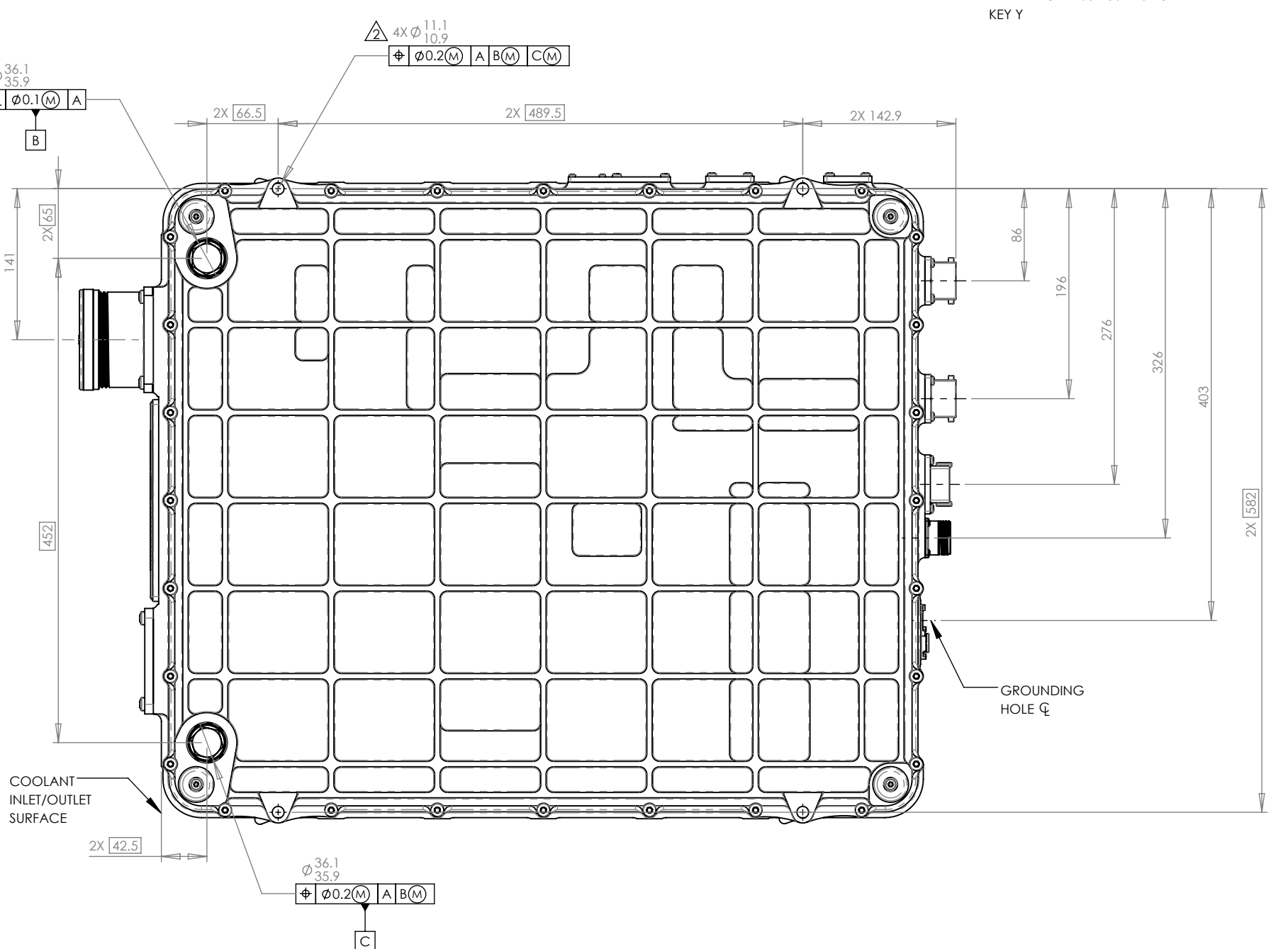
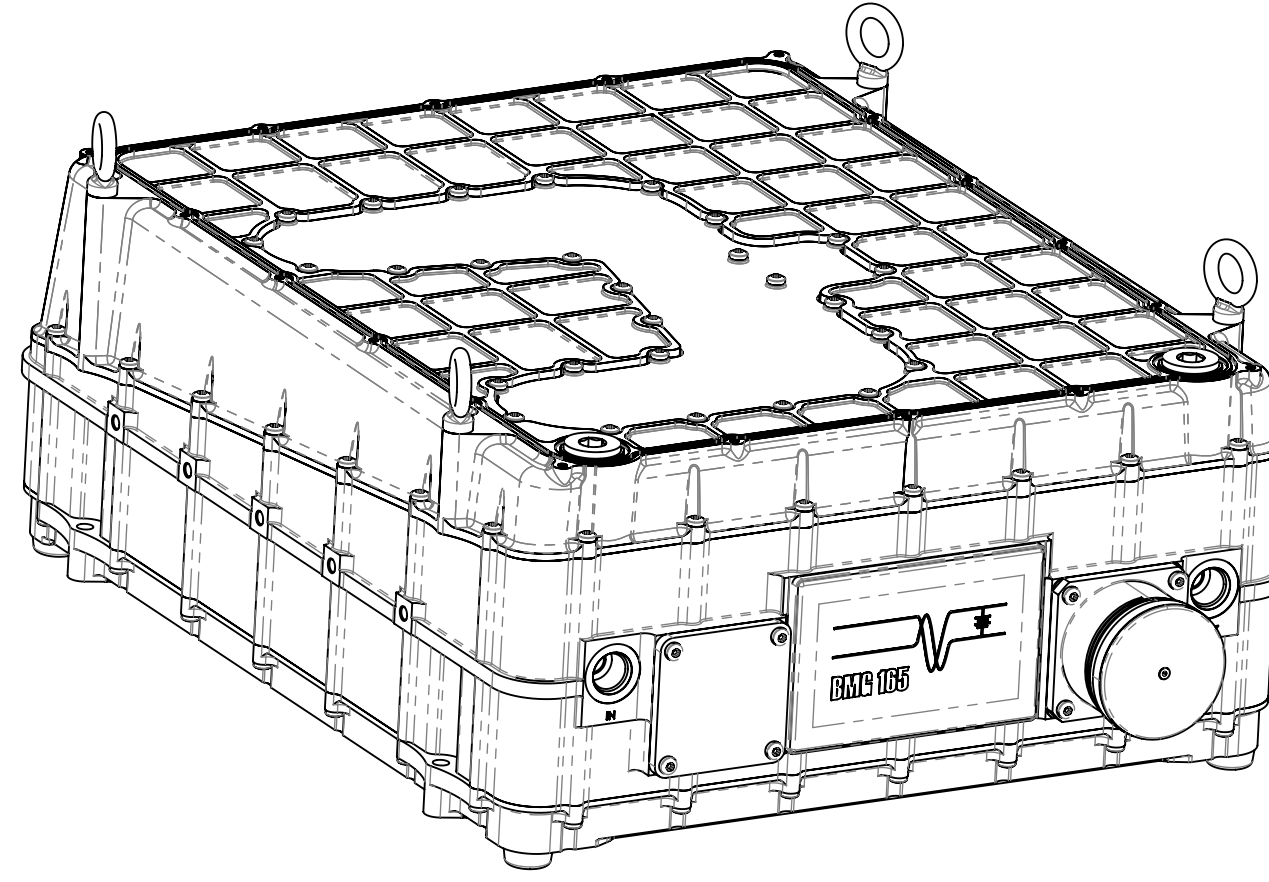
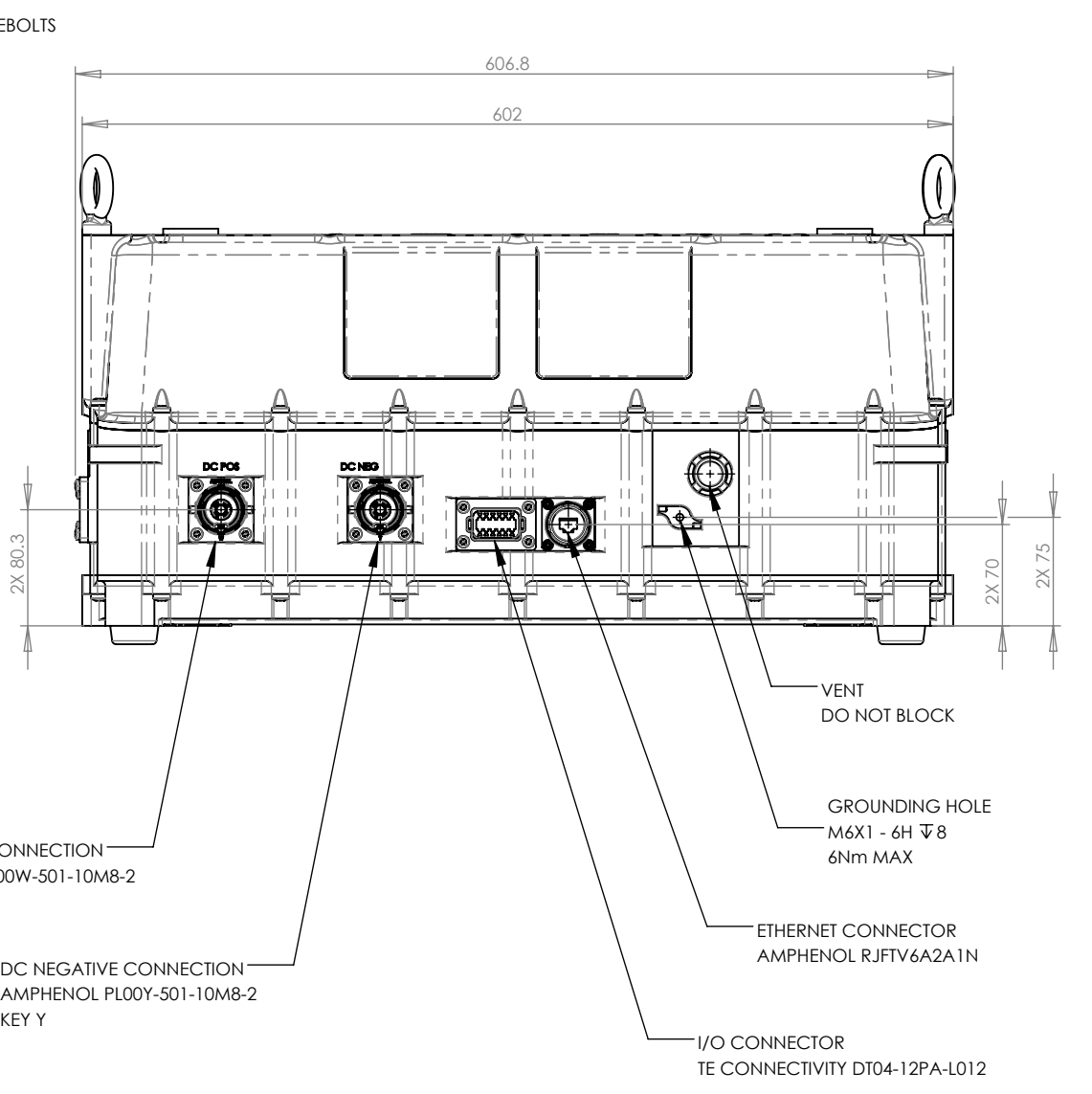
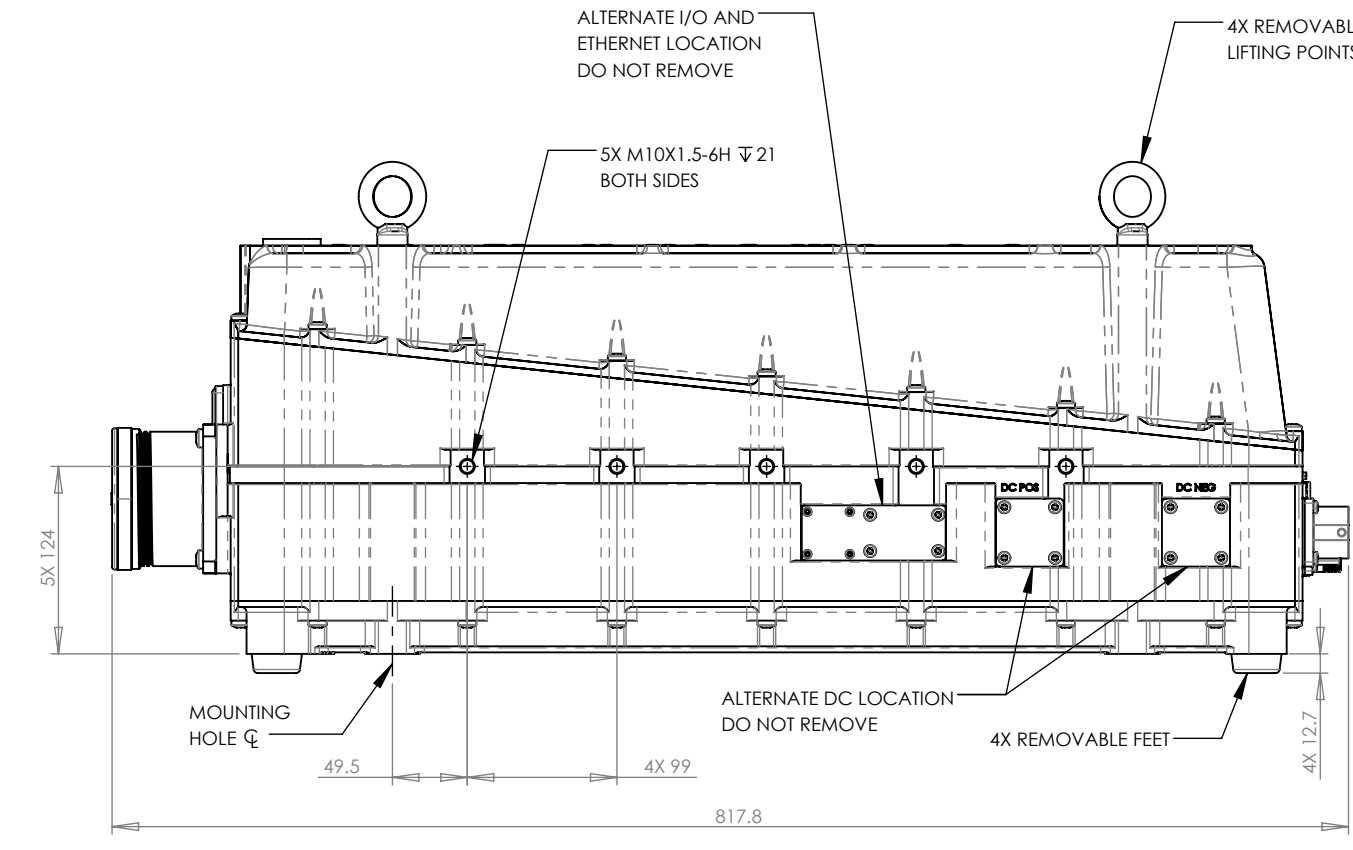
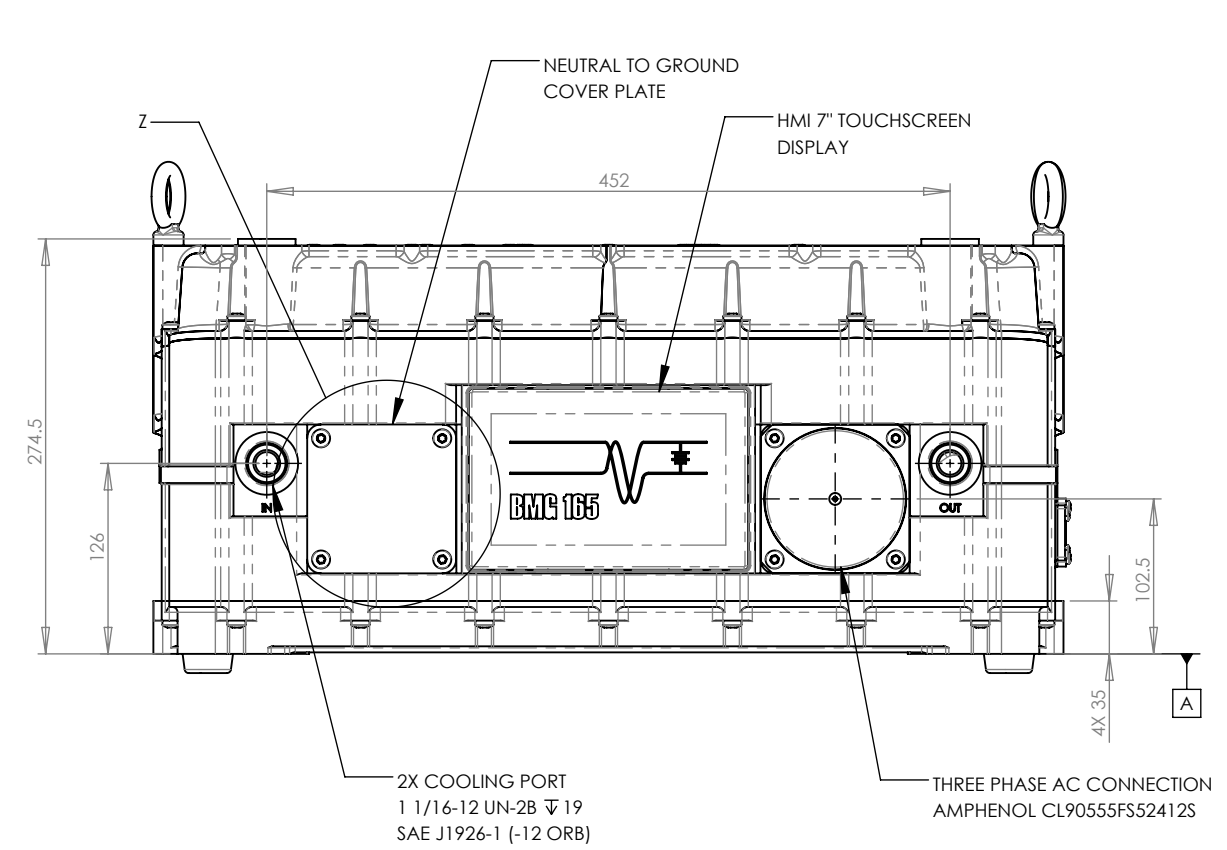


8 7 6 5 4 3 2 1

F E D C B A

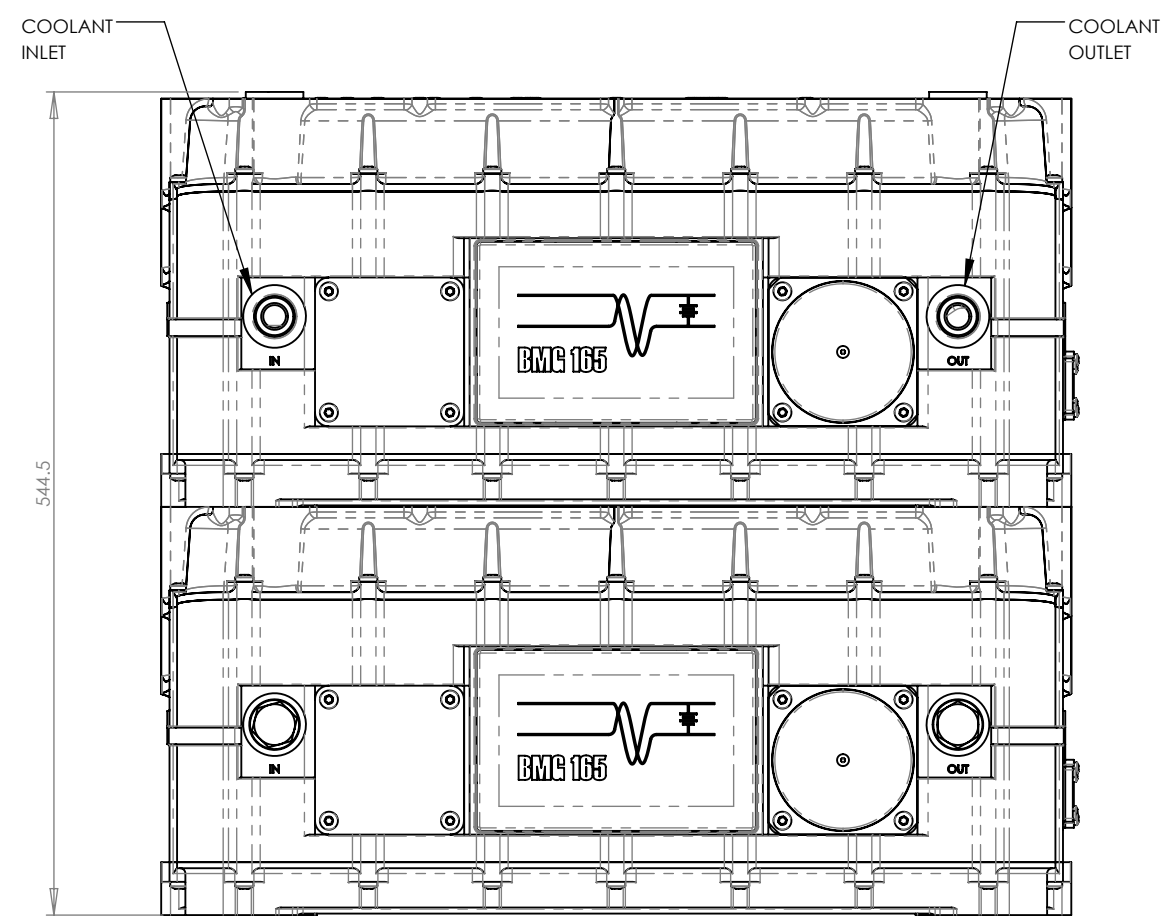


- NOTES
- SEE PRODUCT MANUAL 0A-0183 FOR FURTHER INFORMATION.
 - RECOMMENDED MOUNTING INTERFACE.
 - REFERENCE CUSTOMER MODEL 0C-0075 FOR FULL GEOMETRY.

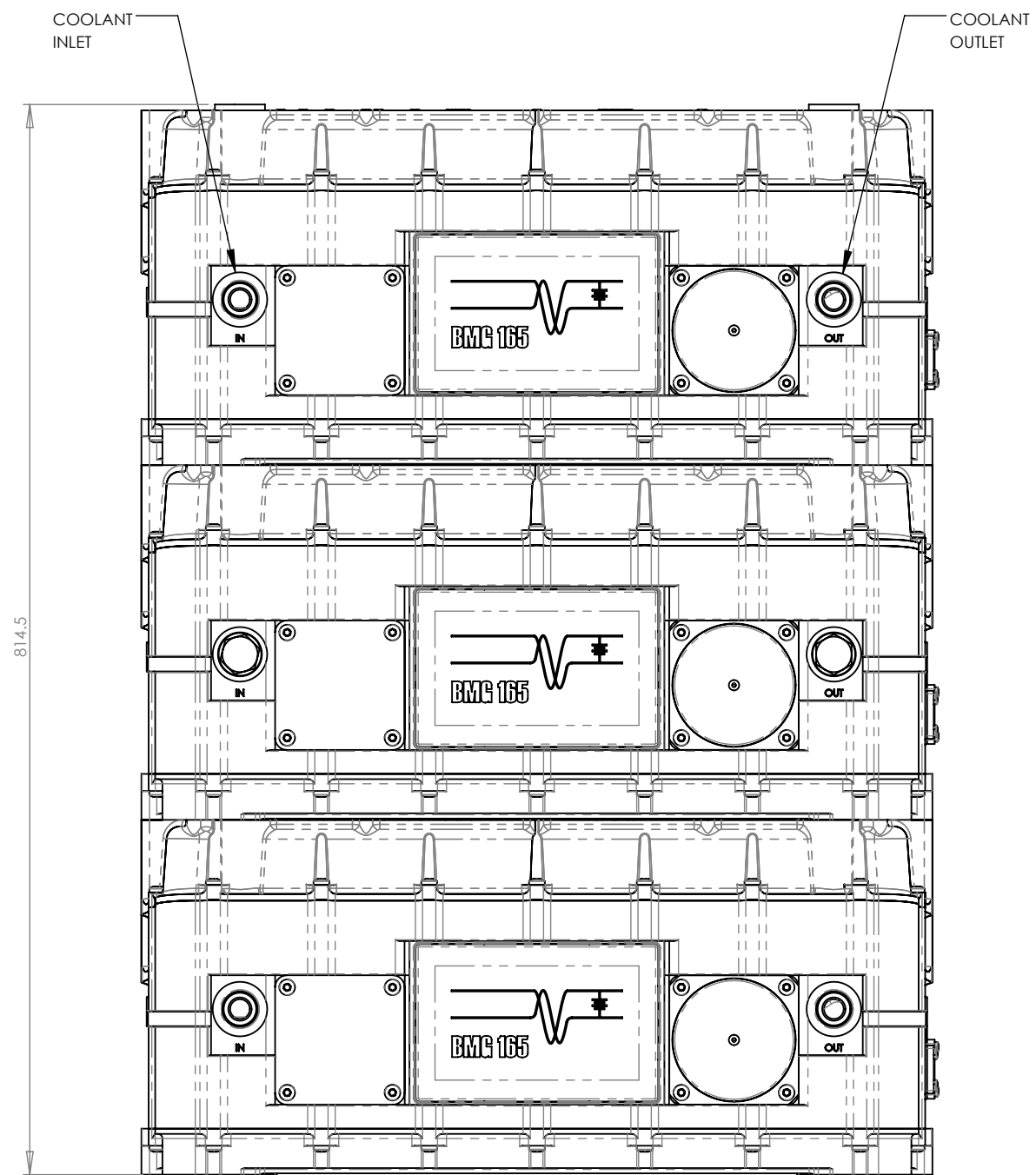
UNLESS OTHERWISE SPECIFIED:		NAME	DATE	 Wilsonville and Hood River, OR - USA
DIMENSIONS ARE IN MM		DRAWN	ACN	
ANGULAR: MACHINING \pm 0.5°		ENG APPR.		TITLE:
ANGULAR: BEND \pm 1.0°		MFG APPR.		CID - BMG165 A2
LINEAR: MACHINING \pm 0.25		3.2		SIZE DWG. NO.
LINEAR: BEND \pm 1.0				C 0A-0182-01
INTERPRET GEOMETRIC TOLERANCING PER: ASME Y 14.5				
NO BLURS OR SHARP EDGES / SEE CAD MODEL FOR DIMENSIONS NOT SHOWN				
MATERIAL				
FINISH				
SCALE: 1:5		WEIGHT: g		SHEET 1 OF 2

1283	-01	INITIAL RELEASE	2/20/2026	
ECO	REV.	DESCRIPTION	DATE	APPROVED
REVISIONS				

8 7 6 5 4 3 2 1



DUAL UNIT - EXTERNAL COOLING SYSTEM



TRIPLE UNIT - EXTERNAL COOLING SYSTEM

ADDITIONAL CONFIGURATIONS

UNLESS OTHERWISE SPECIFIED: DIMENSIONS ARE IN MM ANGULAR: MACHINING ±0.5° ANGULAR: BEND ±1.0° LINEAR: MACHINING ±0.25 LINEAR: BEND ±1.0	DRAWN	ACN	2/16/2026	 Wilsonville and Hood River, OR - USA	
	ENG APPR.				TITLE: CID - BMG165 A2
	MFG APPR.			SIZE C	DWG. NO. 0A-0182-01
	FINISH			SCALE: 1:5	WEIGHT: g